

8 Sheet Panels

Post with paper or wrap vinyls over the trim.



Assembly Instructions

Formetco 8-Sheet Panels

- *Deluxe 8-Sheet Panels. Post with paper or wrap a vinyl over the trim.*
- * *Deluxe 8-Sheet Panel no Trim for vinyls.*
- *Deluxe RC-8 Sheet Panels*
- *RC FX 8 & FX 8U Sheet Panels. Post paper or stretch vinyl inside trim.*
- *8-Sheet Structures for back-to-back faces.*
- *Flush Mounting Frame for wall mounting in high traffic areas.*
- *Illumi-8 Fixtures and pre-wired conduits*

Table of Contents

Formetco Deluxe 8-Sheet Panel	3 - 4
Assembly Instructions	3
8-Sheet Trim	4
Formetco 8-Sheet Panel No Trim	5 - 6
Assembly Instructions	5 - 6
Formetco RC-8 Sheet Panel	7 - 8
Assembly Instructions	7 - 8
RC-8 Sheet Trim	8
Formetco FX-8 & FX-8U Panels	9 - 16
FX-8 & FX-8U Assembly Instructions	9 - 10
T/S & B/S Brackets Installation	10 - 11
FX-8 Sheet Trim	12
FX-8 Sheet Vinyl Installation	13
FX-8U Hanger Bar & Tensioning Clips Instructions	14
FX-8U Trim	15
FX-8U Vinyl Installation	16
Formetco 8-Sheet Mounting Channels	17
Formetco 8-Sheet Structure	18
Formetco Flush Mounted RC-8 Sheet Panel	19 - 22
Assembly Instructions	19
Wall Channels	20
Wall Stringer Installation	21
Hanging Panel	22
Illumi-8 Fixture & Conduit	23

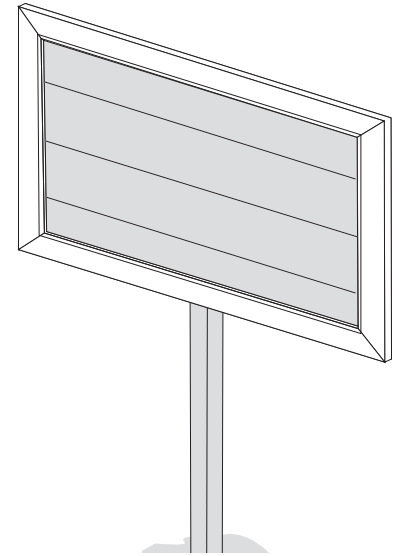
Formetco Deluxe 8-Sheet Panels

Formetco Deluxe 8-Sheet Panels are the strongest and most versatile 8-Sheet Panels available. Formetco G-165 Longlife Interlocking Sections are the heaviest coated sections available to the Outdoor Advertising Industry and only available from Formetco. The Mounting Channels for the Deluxe 8-Sheet Panels can be mounted on wood poles, steel I-beams, single pole structures and walls. The 8-Sheet Sprits and Mounting Channels can be adjusted to various spans from 5' to 11' to suit the location where the 8-Sheet Panel is to be mounted.

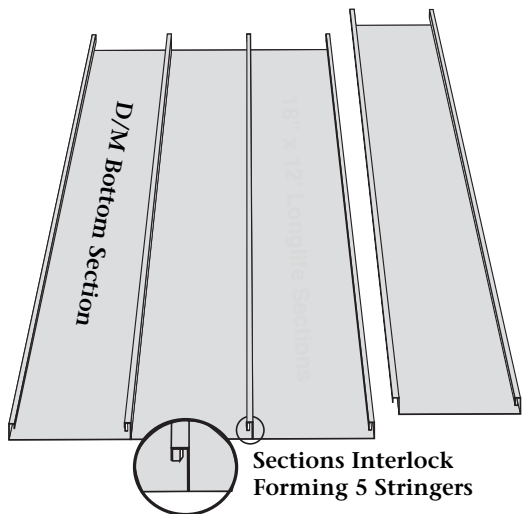
Formetco Deluxe 8-Sheet Panel makes a full 6' x 12' face with the 8-Sheet Trim wrapping around and over the sections. This protects the Trim from wind and vandalism. 8-Sheet Trims are available in white or gray baked-on enamel and stainless steel.

Formetco Deluxe 8-Sheet Panels have a copy area of 5' x 11' with the outside dimension of 6' x 12'. The Formetco 8-Sheet Panel can be used without the trim for a 6' x 12' painted bulletin.

Flexible vinyl, hand painted or computer printed, vinyls can easily be stretched over the Formetco Deluxe 8-Sheet Trim, giving you the opportunity to sell long term contracts without the monthly posting.



Deluxe 8-Sheet Assembly Instructions

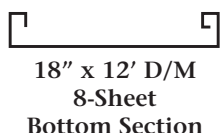


The Formetco Deluxe 8-Sheet Panel consists of the following:

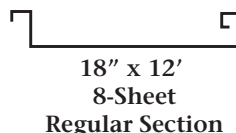
- 3 18" x 12' Formetco Longlife Interlocking Sections
- 1 18" x 12' Formetco D/M Longlife Interlocking Bottom Section
- 2 8-Sheet Sprits
- 2 Mounting Channels
- 10 2" Hook Bolts/Nuts

Step 1.

On saw horses, stands, or on the floor lay one (1) D/M 8-Sheet Bottom Section face down. Interlock 3 Interlocking regular 8-Sheet sections with the bottom section.



18" x 12' D/M
8-Sheet
Bottom Section

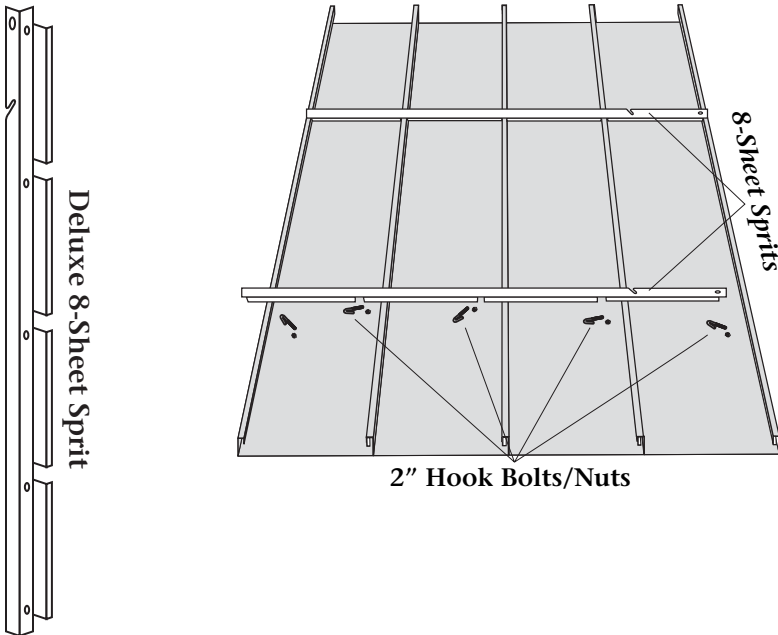


18" x 12'
8-Sheet
Regular Section

The interlocking legs of the sections act as five stringers to make the Formetco 8-Sheet Face the strongest available.

Formetco Deluxe 8-Sheet Panels

Deluxe 8-Sheet Assembly Instructions



Step 2.

Determine the spacing needed for the Sprits to mount to your structure or wall. Mark the Sprit location on the face and lay the two Sprits across the sections.

Note: Sprits can be attached from 60" minimum span to 132" maximum span to suit your location requirements.

Step 3.

Secure the Sprits to the back of the sections with 2" Hook Bolts/Nuts. Leave the top and bottom hook bolts loose until the trim has been applied.

Trim Installation

Step 4.

Turn the 8-Sheet panel face up to attach the 8-Sheet Trim. Attach a Corner Clip to each end of the two side trim pieces.

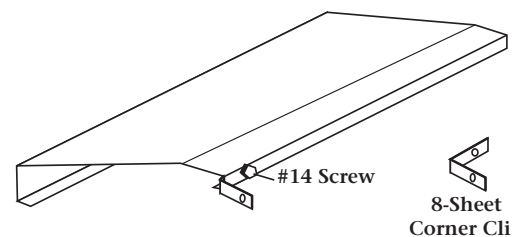
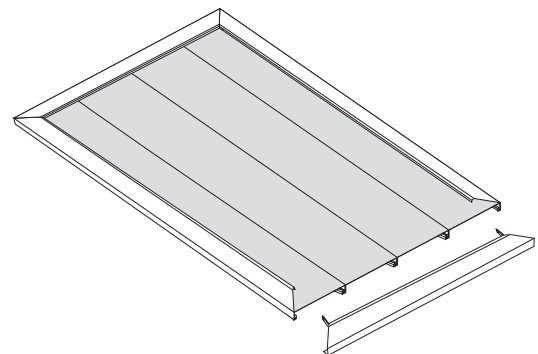
Lay the top and bottom trim pieces in place and align with the corners of the face. Slide one end on the sections, with the corner clips sliding into the top and bottom trim pieces. Adjust the mitered corners and fasten with #14 trim screws.

Attach the second side trim. Make any adjustments needed at the corners and tighten all the #14 trim screws around the inside of the trim.

Stand the panel upright with the top and bottom trim pieces in place under the Sprits and tighten the hook bolts/nuts.

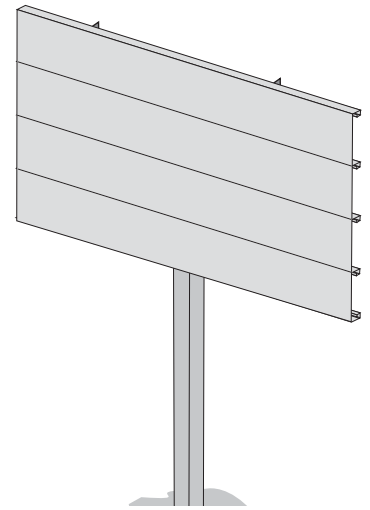
Secure the back flange of the trim with #14 trim screws through the trim and section legs on all four sides.

Your Formetco Deluxe 8-Sheet Panel is now ready to post and hang in place.



Formetco 8-Sheet Panel No Trim

Formetco Deluxe 8-Sheet Panels are the strongest and most versatile 8-Sheet Panels available. Formetco G-165 Longlife Interlocking Sections are the heaviest coated sections available to the Outdoor Advertising Industry and only available from Formetco. The Mounting Channels for the 8-Sheet Panels can be mounted on wood poles, steel I-beams, single pole structures and walls. The 8-Sheet Sprits and Mounting Channels can be adjusted to various spans from 5' to 11' to suit the location where the 8-Sheet Panel is to be mounted.



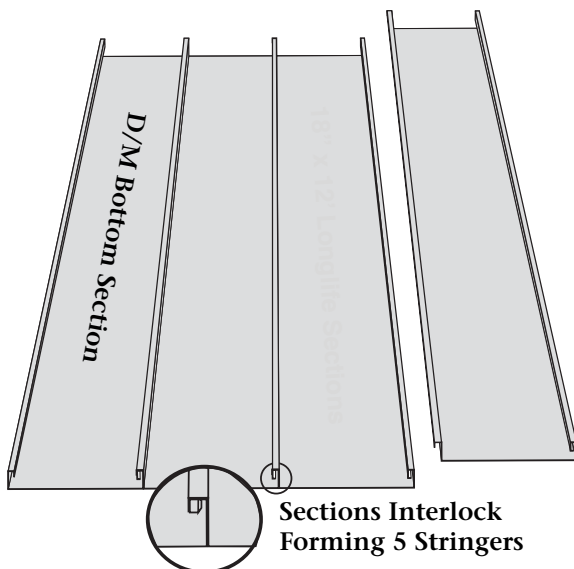
Formetco 8-Sheet Panel makes a full 6' x 12' face without the 8-Sheet Trim. Formetco Deluxe 8-Sheet Panels have an outside dimension of 6' x 12'. The Formetco 8-Sheet Panel can be used for flexible vinyls or as a 6' x 12' painted bulletin.

Flexible vinyl, hand painted or computer printed vinyls, can easily be stretched over the Formetco 8-Sheet giving you the opportunity to sell long term contracts without the monthly posting.

8-Sheet Assembly Instructions

The Formetco Deluxe 8-Sheet Panel consists of the following:

- 3 18" x 12' Formetco Longlife Interlocking Sections
- 1 18" x 12' Formetco D/M Longlife Interlocking Bottom Section
- 2 8-Sheet Sprits
- 2 Mounting Channels
- 10 2" Hook Bolts/Nuts



Sections Interlock Forming 5 Stringers



18" x 12' D/M 8-Sheet Bottom Section



18" x 12' 8-Sheet Regular Section

Step 1.

On saw horses, stands, or on the floor lay one (1) D/M 8-Sheet Bottom Section face down. Interlock 3 Interlocking regular 8-Sheet sections with the bottom section.

The interlocking legs of the sections act as five stringers to make the Formetco 8-Sheet Face the strongest available.

Formetco 8-Sheet Panel No Trim

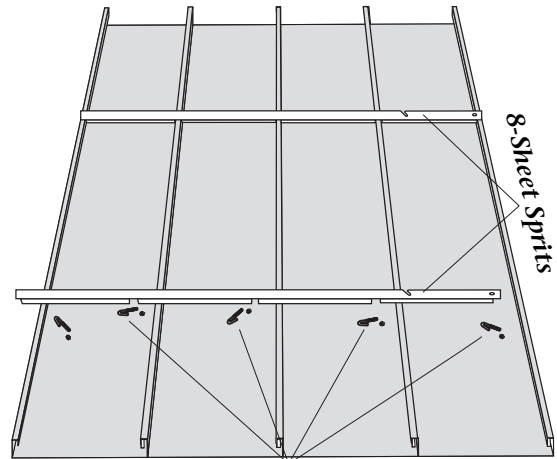
8-Sheet Assembly Instructions



Step 2.

Determine the spacing needed for the Sprits to mount to your structure or wall. Mark the Sprit location on the face and lay the two Sprits across the sections.

Note: Sprits can be attached from 60" minimum span to 132" maximum span to suit your location requirements.

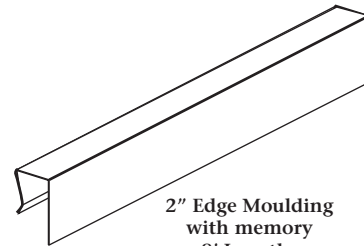


2" Hook Bolts/Nuts

Step 3.

Secure the Sprits to the back of the sections with 2" Hook Bolts/Nuts.

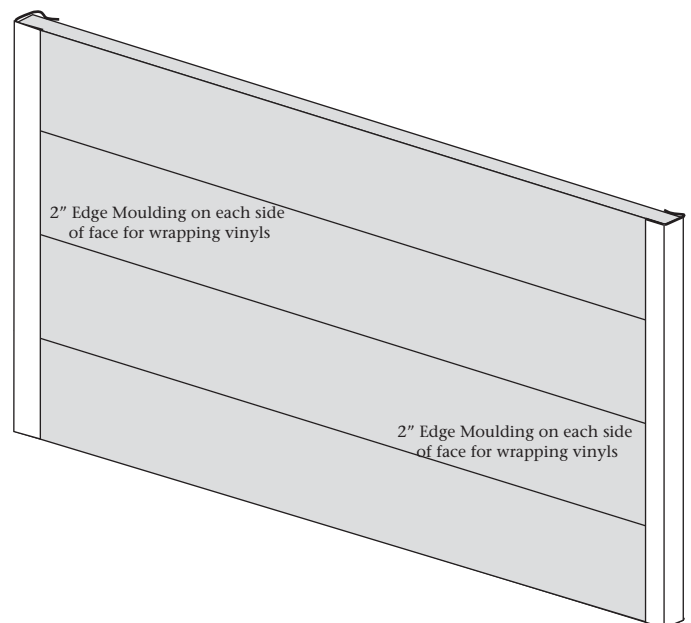
Edge Moulding



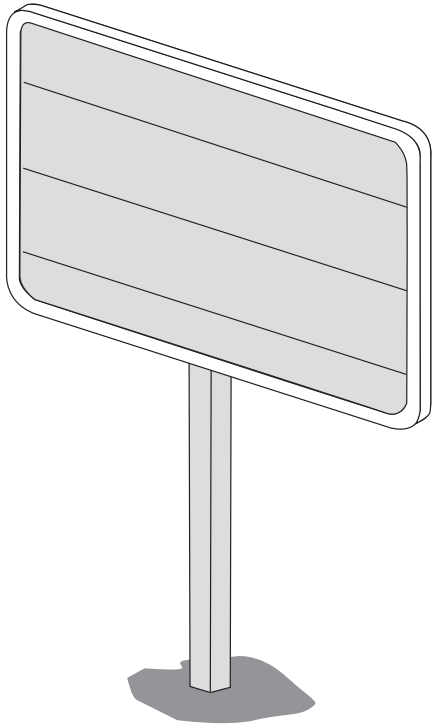
When the No Trim 8-Sheet face has been installed apply 2" Edge Mouldings on each side of the face.

Computer printed vinyls can then be easily wrapped over the face.

The 2" Edge Moulding is available in 8' lengths. A 1" Edge Moulding is also available in 90" lengths.



Formetco Deluxe RC-8 Sheet Panels



Formetco Deluxe RC-8 Sheet Panels are the strongest and most versatile round corner 8-Sheet panels available on the market. Formetco G-165 Longlife Interlocking Sections are the heaviest coated sections available to the Outdoor Advertising Industry and only available from Formetco. The Mounting Channels can be attached to wood poles, steel I-beams, structures and walls. The Sprit and Mounting Channel locations can be adjusted to various spans to suit the panel location.

Formetco Deluxe RC-8 Sheet Panel is 5' 4" x 11' 4" outside dimensions with a 5' x 11' copy area. The RC-8 Sheet Trim wraps around the sections to protect the trim from wind and vandalism.

The RC-8 Sheet Trim is available with baked-on enamel (in standard outdoor colors) and stainless steel.

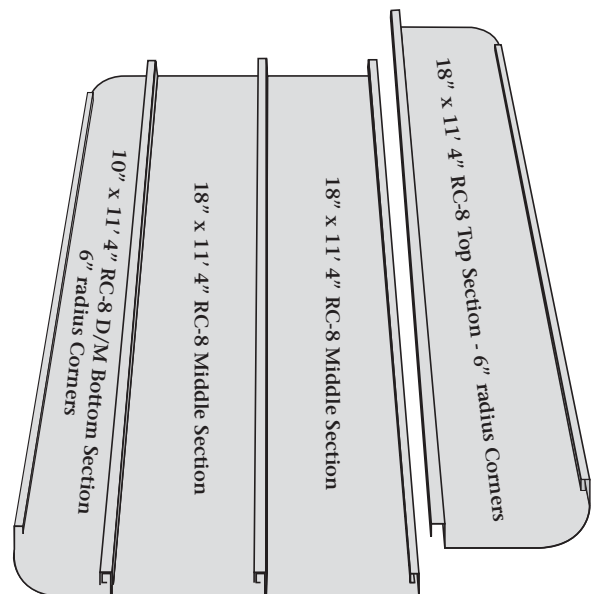
Assembly Instructions

The Deluxe RC-8 Sheet Panel consists of the following:

- 1 18" x 11' 4" - 6" Round Corner RC-8 Sheet Top Longlife Interlocking Section
- 2 18" x 11' 4" RC-8 Sheet Middle Longlife Interlocking Sections
- 1 10" x 11' 4" - 6" Round Corner RC-8 Sheet Bottom Longlife Section
- 2 RC-8 Sheet Sprits
- 2 Mounting Channels
- 10 2" Hook Bolts/Nuts

Step 1.

Lay one 10" x 11' 4" D/M RC-8 Sheet Bottom Section face down on saw horses, stands, or on the floor. Interlock two 18" RC-8 Sheet Middle Sections and then one 18" RC-8 Sheet Top Section together.



10" x 11' 4" D/M
RC-8 Sheet
Bottom Section
6" radius Corners

18" x 11' 4"
RC-8 Sheet
Middle Sections

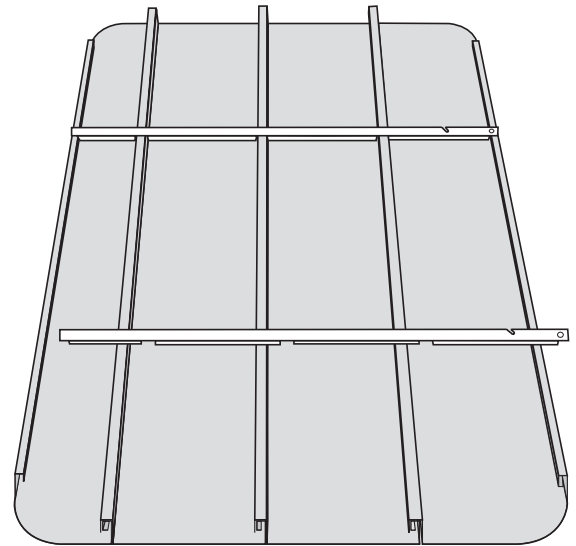
18" x 11' 4"
RC-8 Sheet
Top Section
6" radius Corners

Formetco Deluxe RC-8 Sheet Panels

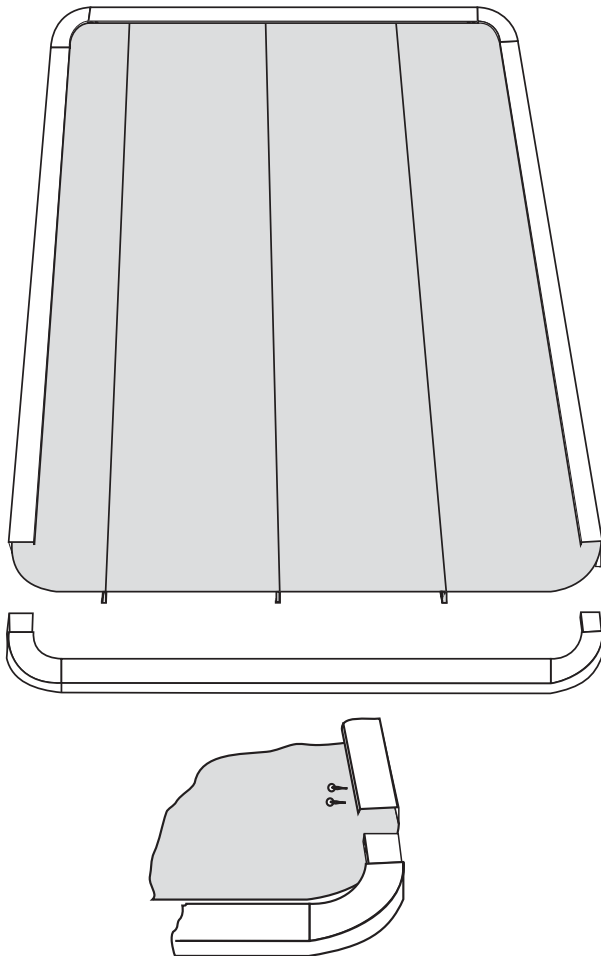


Step 2.
Mark the location of the Sprits. You can adjust the Sprit from 60" to 132" apart.

Step 3.
Lay the Sprits on the marks and secure to the back of the sections with the 2" Hook Bolts/Nuts. Do not tighten the top and bottom hook bolts/nuts until the trim has been installed.



Trim Installation



Step 4.
Attach the corners to the side trim pieces with the color #10 trim screws.

Place the top and bottom trim pieces in place on the face and align with the corners. Slide the side trim in place inserting the corners in the top and bottom trims. Secure with #10 screws.

Install the remaining side trim. Fasten with #10 screws. Tighten all the trim screws.

Stand face upright. Tighten the top and bottom hook bolt/nuts on the Sprits and secure the back flange of the trim to the section legs with #14 trim screws.

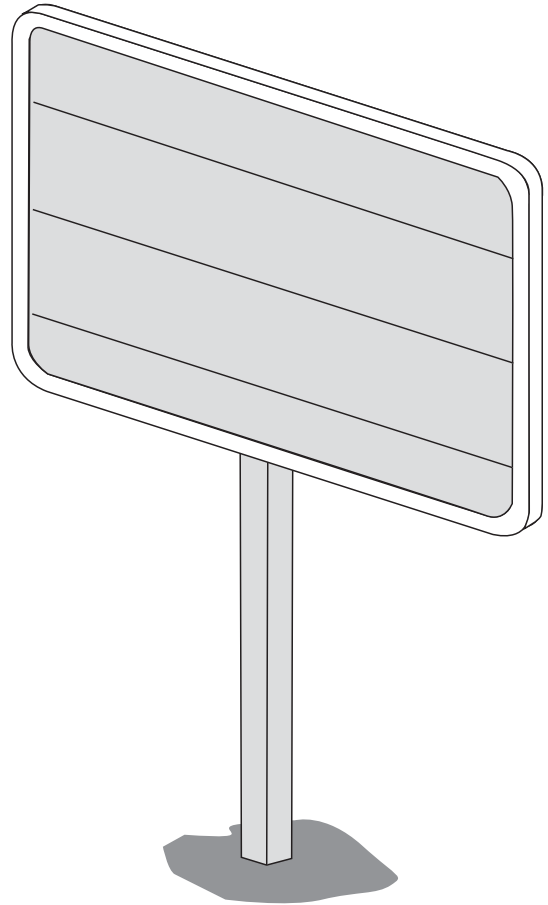
The RC-8 Sheet Panel is now ready to post and hang on your structure.

FX-8 & FX-8U Panel

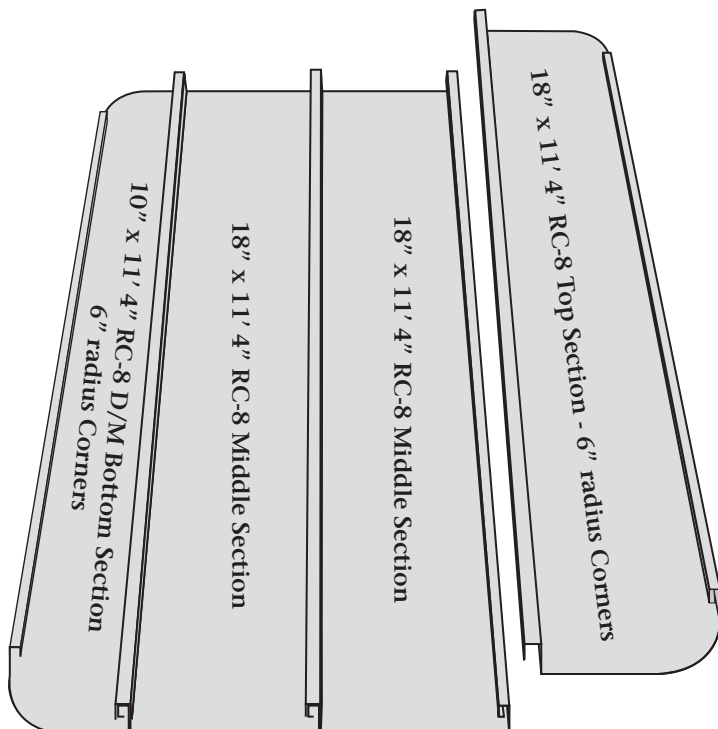
The Formetco FX-8 Sheet and FX-8U Sheet Panels you can post with paper or install a vinyl with gripper bars inside the trim.

For long term contracts the FX-8 Sheet Panel has T/S and B/S Brackets mounted inside the SS Trim that allows you to stretch a vinyl inside the trim using Gripper Bars. You do not have to remove the trim to install vinyls.

The FX-8U Panel has Hanger Bars and Tensioning Brackets inside the trim to install vinyls using "T" Clips.



Assembly Instructions



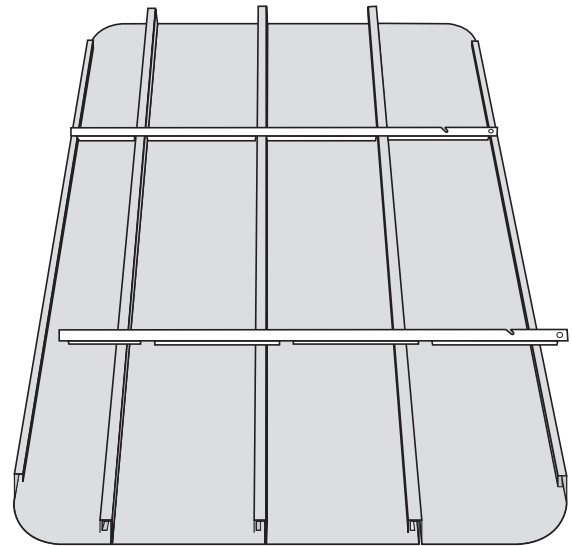
Step 1.
Lay the top section, two middle sections and the bottom sections on saw horses or on the floor.

FX-8 & FX-8U Panels

Step 2.
Mark location of the Sprits.

Attach two RC-8 Sheet Sprits to the back of the sections with 2" Hook Bolts/Nuts.

Turn face side up. You are now ready to install the T/S and B/S Brackets in place.

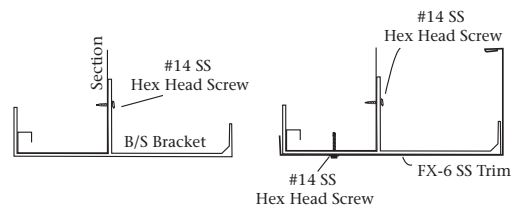
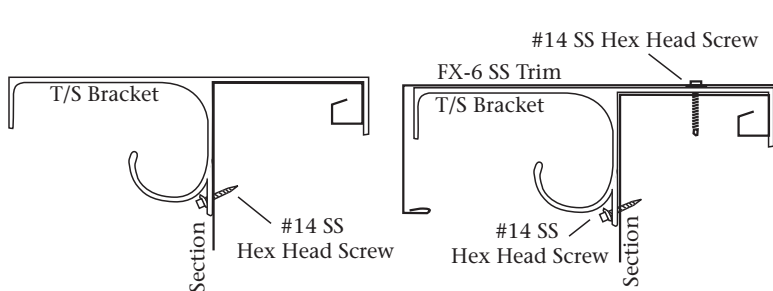
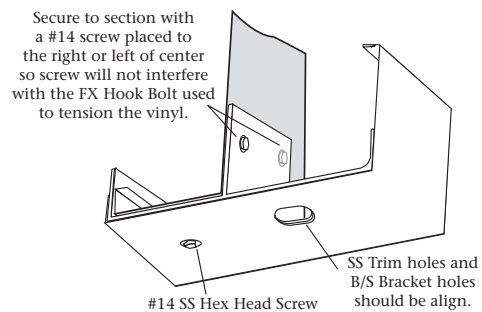
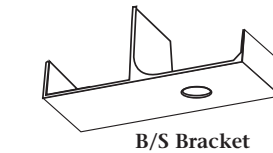
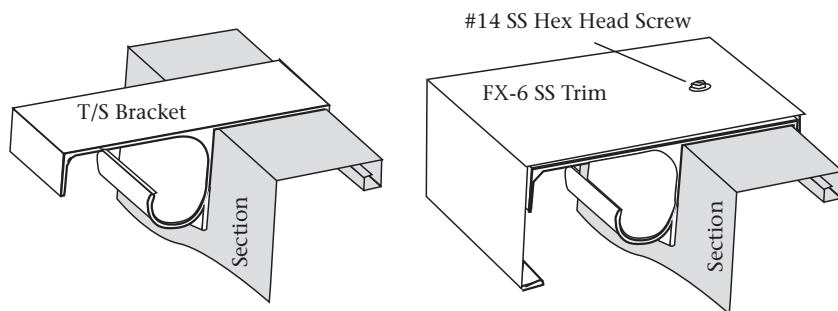


FX-8 Sheet T/S & B/S Brackets

The T/S Brackets are mounted across the top and down one side of the face. They can be either on the right or left side.

The B/S Brackets are mounted across the bottom and up the opposite side from the T/S Brackets.

See spacing chart on Page 11.



FX-8 Sheet Panel

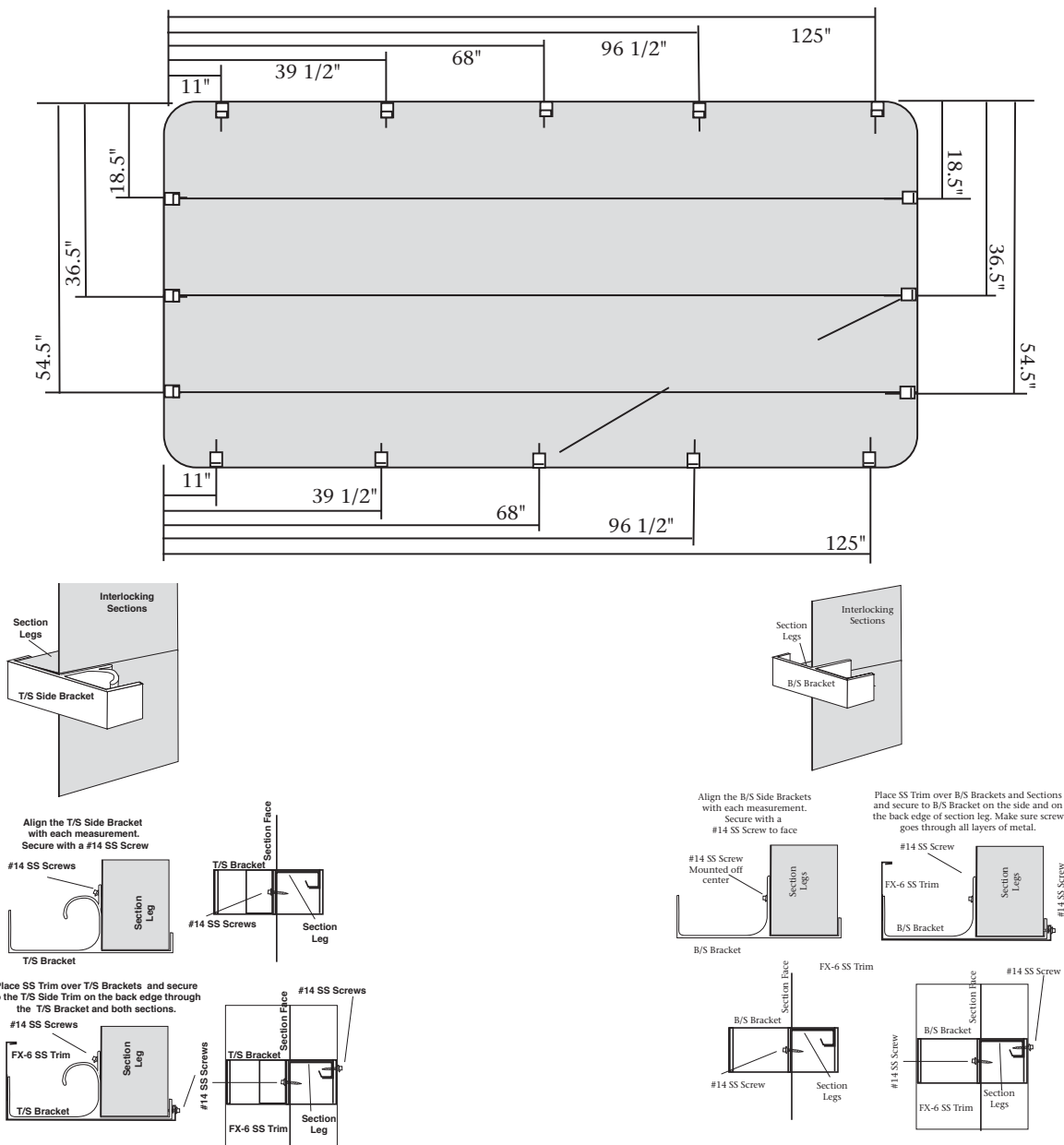
Step 3.

Attach T/S Brackets using #14 SS Screws across the top of the face and down one side to the dimensions shown below.

Attach B/S Brackets using #14 SS Screws across the bottom of the face and on the opposite side to the dimensions shown below.

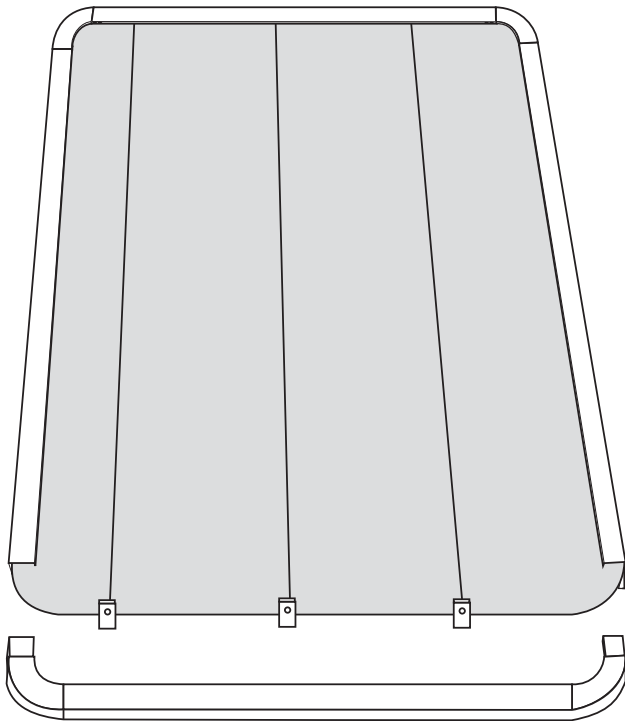
For best results align T/S and B/S Brackets top to bottom and side to side.

T/S & B/S Bracket Placement FX-8 Sheet Panel



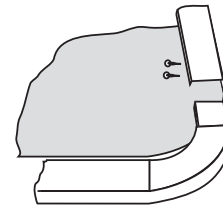
FX-8 Sheet Panel

Trim Installation



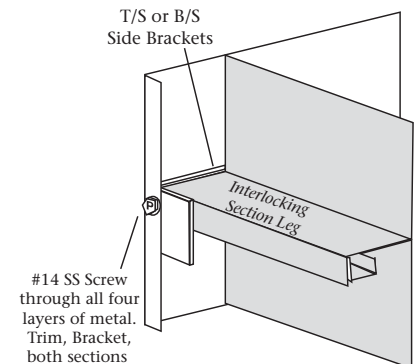
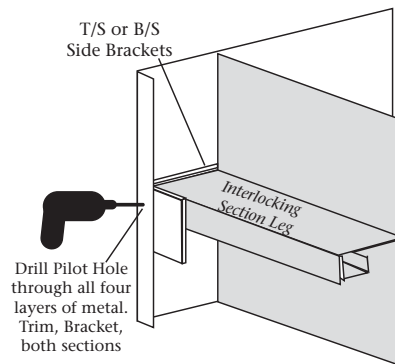
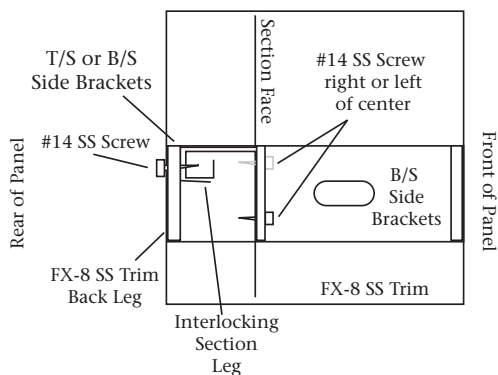
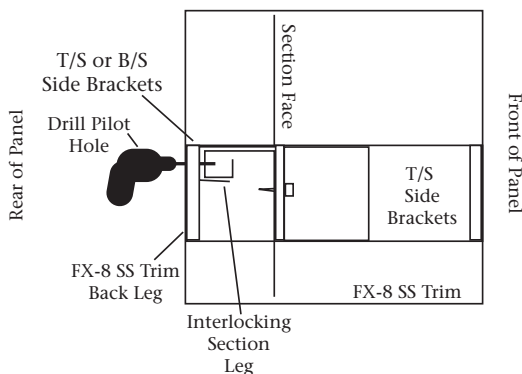
Snap the FX-8 Sheet top and bottom trims over the T/S and B/S Brackets.

Slide the 2 FX-8 Corners on each side trim and secure with #10 SS Screws. Do not tighten at this time.



Snap the side trims in place and tighten the screws.

On the back side of the face drill a hole through the back leg of the trim, the T/S or B/S Bracket and the sections leg. Secure with #14 SS Screws.



FX-8 Sheet Panel

Vinyl Installation

To install the FX-8 Vinyl, mark where the center of each T/S and B/S Brackets are located.

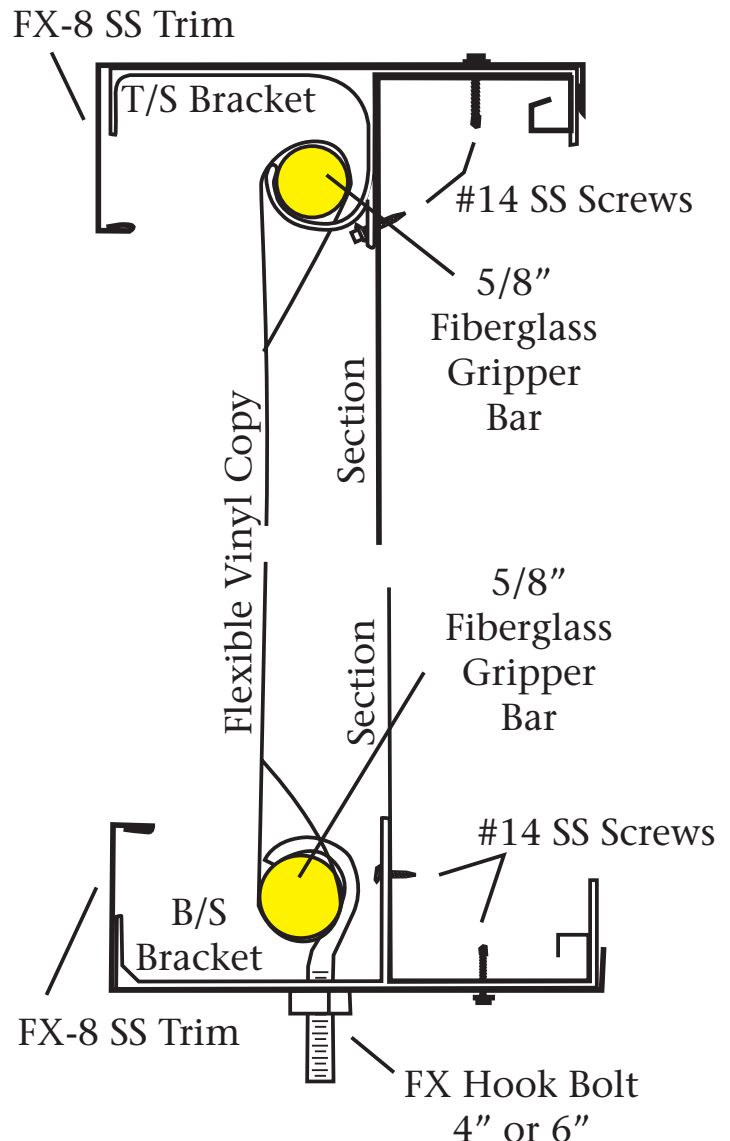
Cut a 2" x 5" piece out of the back side of the vinyl pocket. DO NOT CUT THE FRONT SIDE OF THE POCKET.

Place the top and bottom Gripper Bars into the pockets. Set the top Gripper Bar in the top T/S Brackets. Insert the side Gripper Bar and set on the side T/S Brackets.

Push the FX Hook Bolts behind the vinyl and place over the Gripper Bar. Install the side Gripper Bar and place the side FX Hook Bolts over the Gripper Bar.

Tighten the Flange Nuts on the FX Hook Bolts until the vinyl is tensioned.

FX-8 Sheet Vinyl Installed



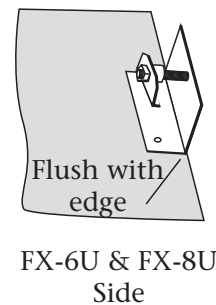
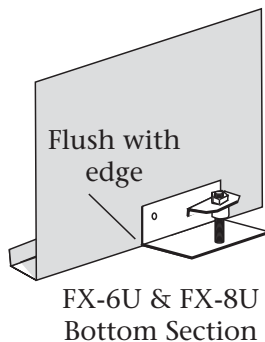
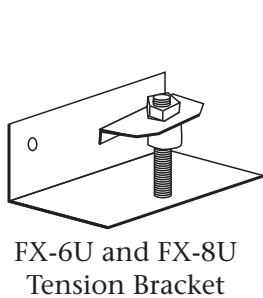
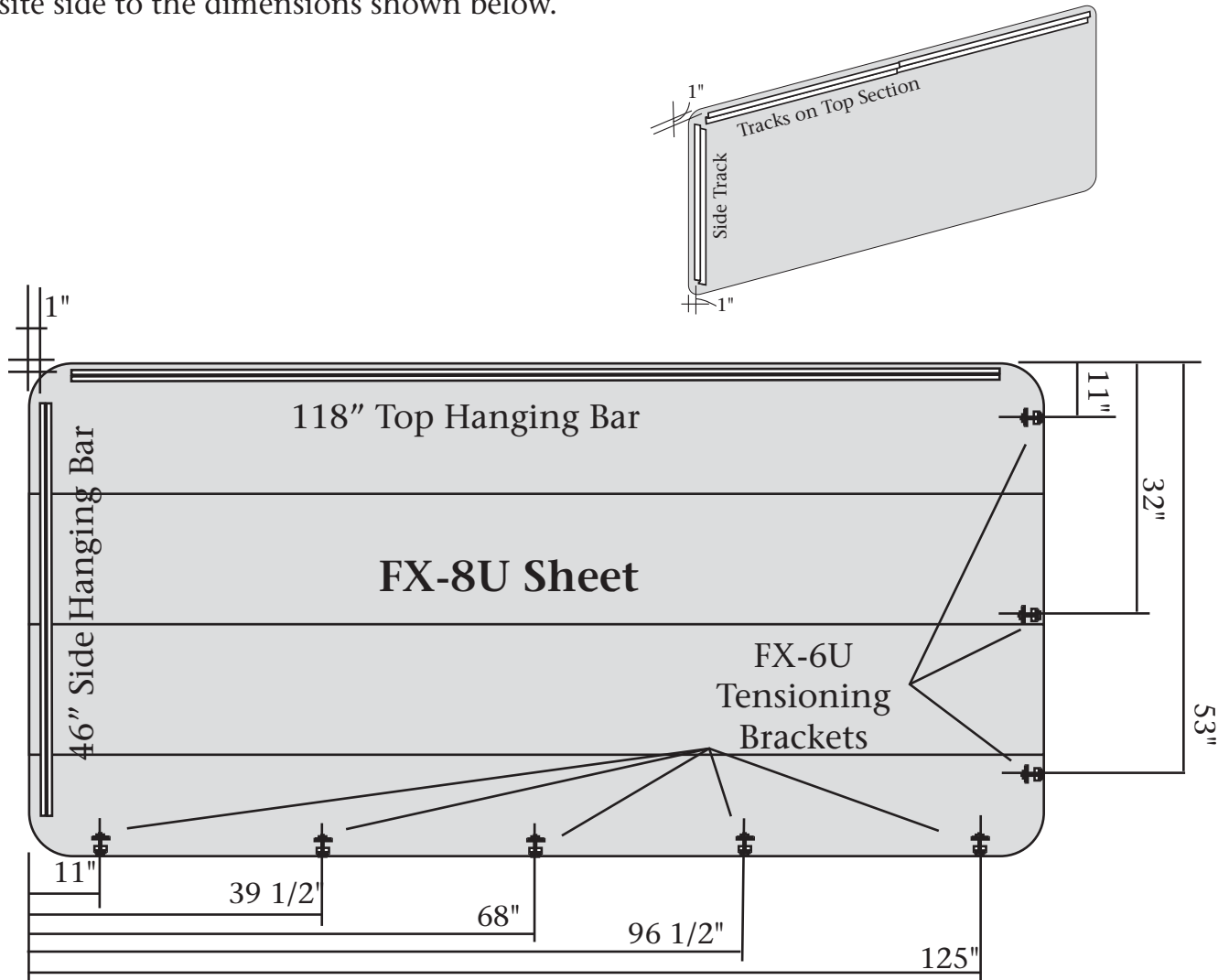
FX-8U Sheet Panel

Installing Top & Side Hanger Bars and Tensioning Brackets

Step 3.

Attach 118" Top hanger using #14 SS Screws across the top of the face, and the 46" Side hanger down one side to the dimensions shown below.

Attach FX-8U Tensioning Brackets using #14 SS Screws across the bottom of the face and on the opposite side to the dimensions shown below.



FX-8U Sheet Panel

FX-8U Trim Application

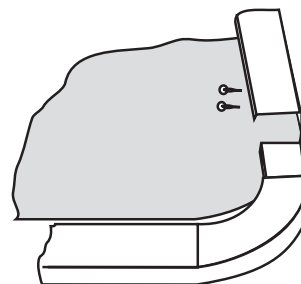
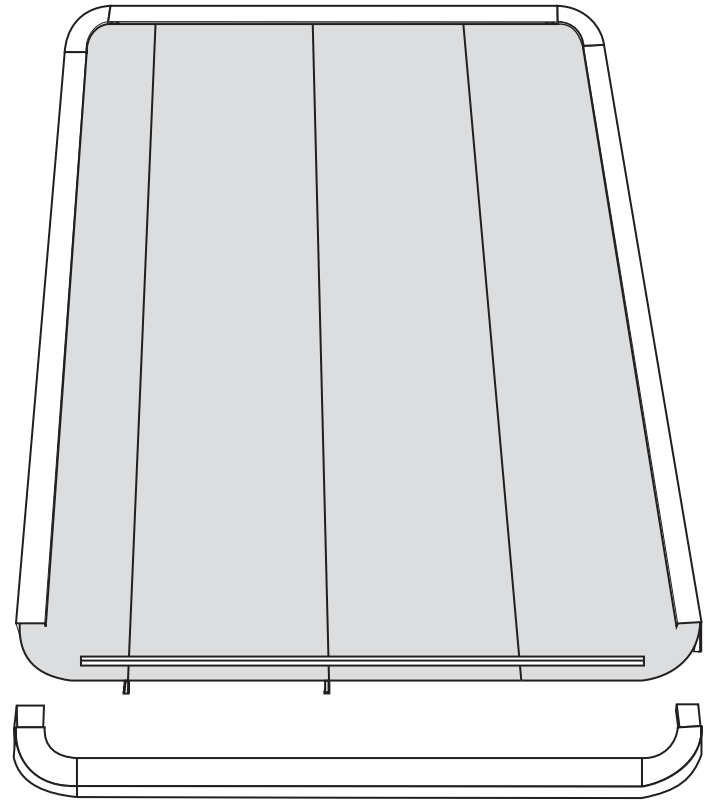
Attach the corners to the side trim pieces with #10 trim screws.

Place the top and bottom trim pieces in position on the face and align with the corners. Slide the side trim in place inserting the corners in the top and bottom trims. Secure with #10 screws.

Install the remaining side trim. Fasten with the SS #10 screws. Tighten all the trim screws.

Stand face upright. Tighten the top and bottom hook bolt/nuts on the Sprints and secure the back flange of the trim to the section legs with #14 trim screws.

The RC-8U Sheet Panel is now ready to post and hang on your structure.



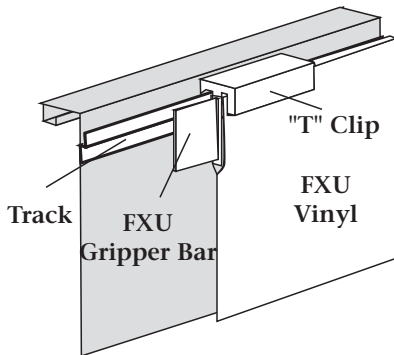
FX-8U Sheet Panel

FX-8U Vinyl Installation

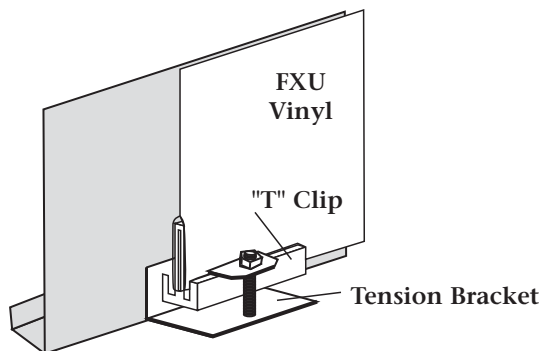
Hook "T" Clips over the Top Hanger Bars.

Hook bottom and side "T" Clips over the Tensioning Brackets.

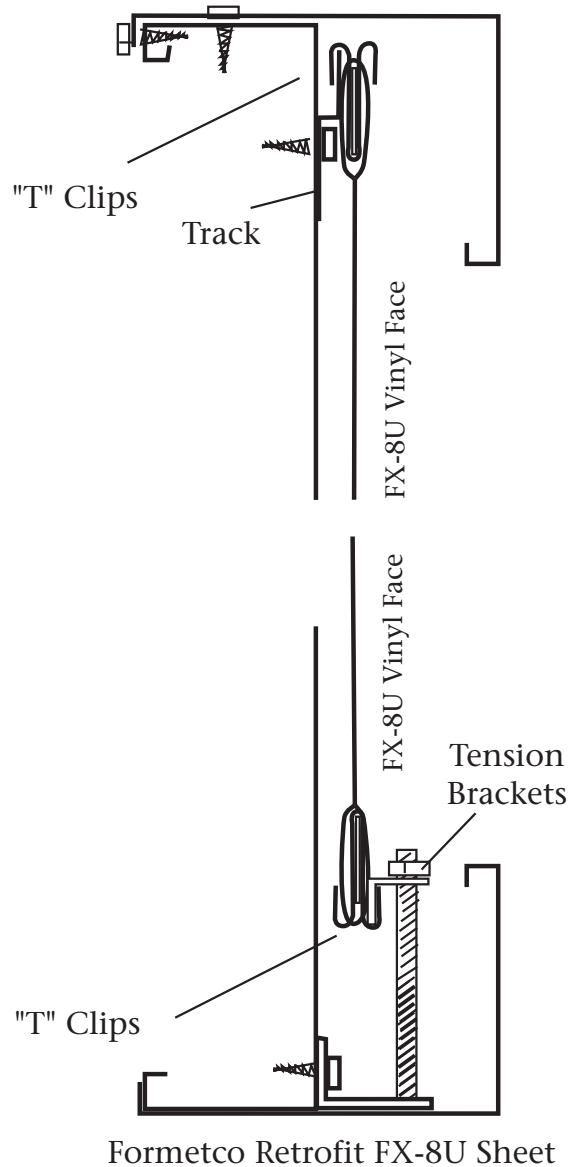
Using a deep well socket and ratchet wrench, tighten the nuts on the Tensioning Brackets to apply tension to the vinyl.



**FX-6U & FX-8U
Top Track with Vinyl**



**FX-6U & FX-8U
Bottom Tension Bracket
with Vinyl**



Formetco Retrofit FX-8U Sheet

8-Sheet Mounting Channels



8-Sheet Mounting Channel

Formetco 8-Sheet Mounting Channels are included in all Deluxe 8-Sheet Kits.

The Formetco 8-Sheet Mounting Channels can be attached to wood poles, steel I-beams, single pole structures and walls. The Mounting Channels can be mounted with a 60" to 132" span to suit the location.

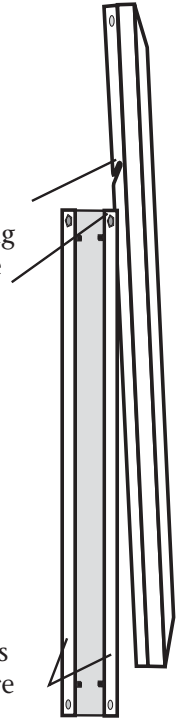
To mount the face to the Mounting Channels, lift the assembled face up higher than the top of the Mounting Channel and rest the edge of the Sprit on the bolts at the top of the channel. Make sure that the notch in the Sprit is above the bolt.

Slide the face down until the notch comes down and over the bolt. Let face swing to a vertical position.

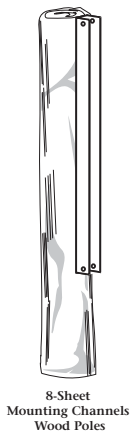
Place a bolt through the bottom hole of the Mounting Channel through the bottom hole in the Sprit and out the other side of the Mounting Channel. Place a nut on the bolt and tighten.

The 8-Sheet face is now in place.

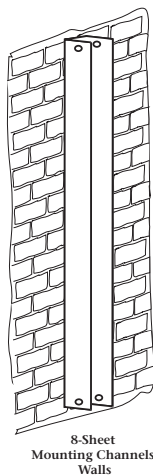
Lift the 8-Sheet panel up until the notch on the Sprit is above the Mounting Channel Bolt. Let the 8-Sheet panel rest on the Bolt and slowly ease the face down until the Sprit slot is on the Bolt.



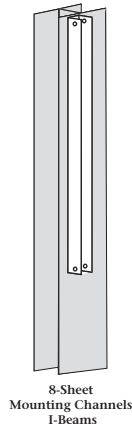
Mounting Channels attached to structure



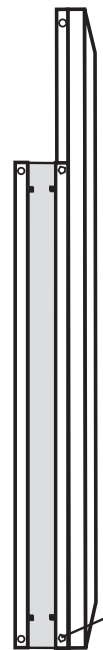
8-Sheet Mounting Channels Wood Poles



8-Sheet Mounting Channels Walls



8-Sheet Mounting Channels I-Beams



With 8-Sheet panel secured with Sprit Notch on Bolt, swing face down into the Mounting Channel. Secure the Sprit at the bottom of the Mounting Channel with Bolt/Nut

8-Sheet Single Pole Structure

The Formetco 8-Sheet Structure consists of two parts for easy assembly on-site. The first part is the "H" Structure, which is two 4" Channels welded to a 4" square tube cross bar. Holes are pre-punched to accept the 8-Sheet Mounting Channels. Two heavy duty "U" Bolts/Nuts are included with the "H" Structure.

Note: 8-Sheet Mounting Channels do not come with the structure. They are included with the Deluxe Face.

The second part is a 6" x 6" x 20' - 1/4" wall square tube with the mounting plate attached. This will give you a 9' to 12' HAGL depending on soil conditions and foundation used.

Note: Review your local building codes for installing your structure.

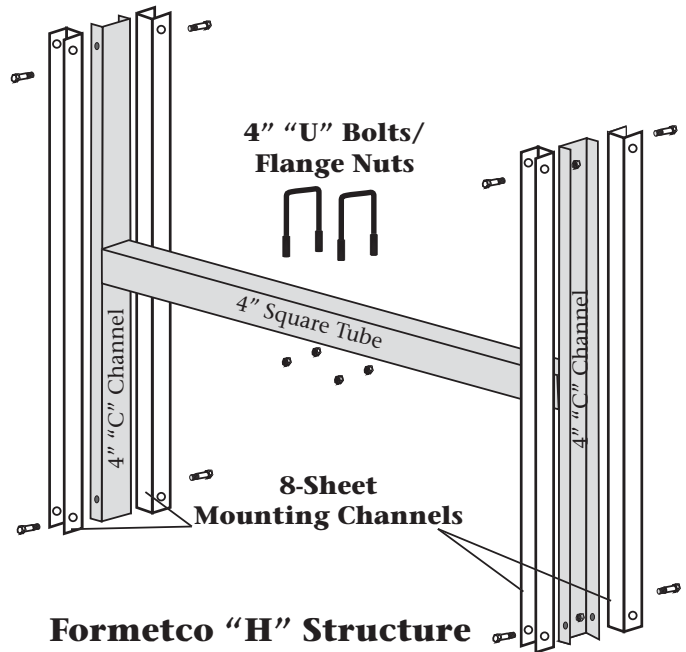
Installing 8-Sheet Structure

When installing the 6" square pole on location, square the pole up to the direction desired. Then place the "H" Structure on top of the mounting plate and secure with the two "U" Bolts/ Nuts.

Note: The Mounting Channels can be pre-installed.

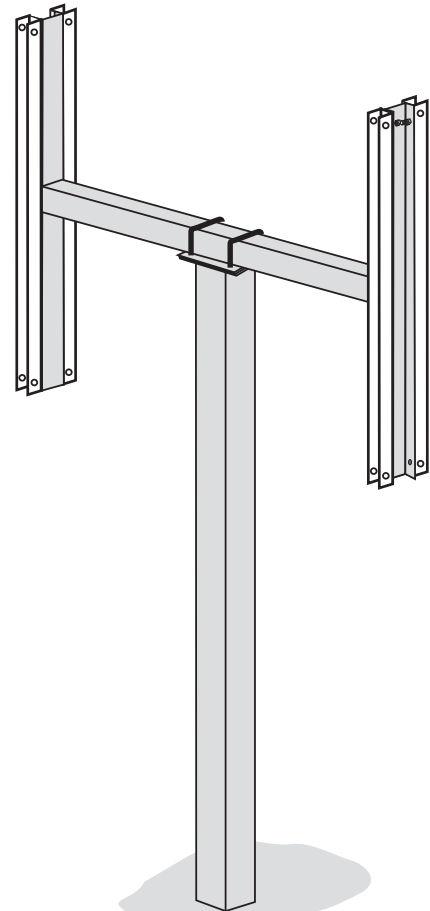
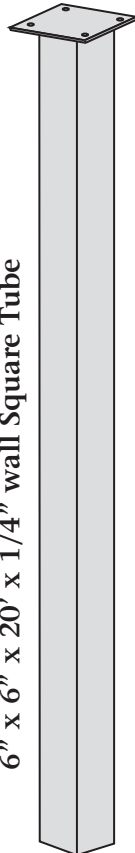
Install the 8-Sheet Faces.

The "H" Structure can be offset to the left or right and/or the face for a flag unit.



Mounting Plate
Attached

6" x 6" x 20' x 1/4" wall Square Tube



8-Sheet Structure Complete

FORMETCO
OUTDOOR

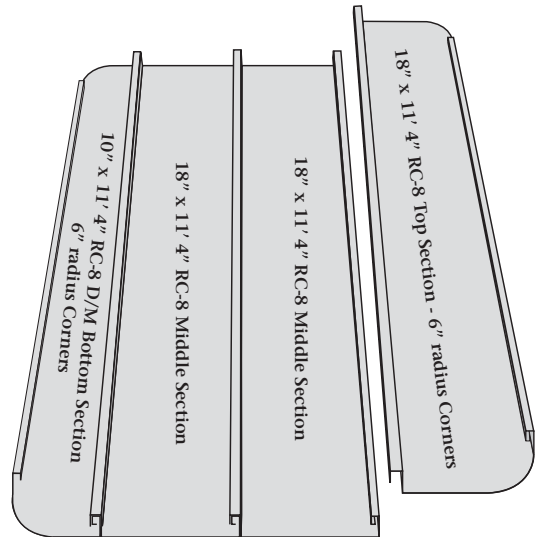
Excellence is our standard.

Flush Mount RC-8 Sheet Panel

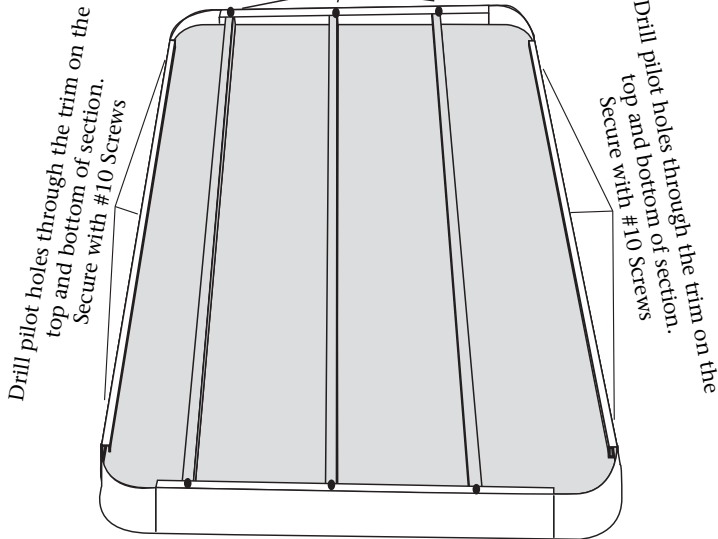
Flush Mount RC-8 Sheet Panel Assembly

Lay two or three 4'6" 2 x 4s on the floor or saw horses.

Lay sections face down as shown on right.



Drill pilot holes through Trim and both section legs on both sides.
Secure with #10 Screws

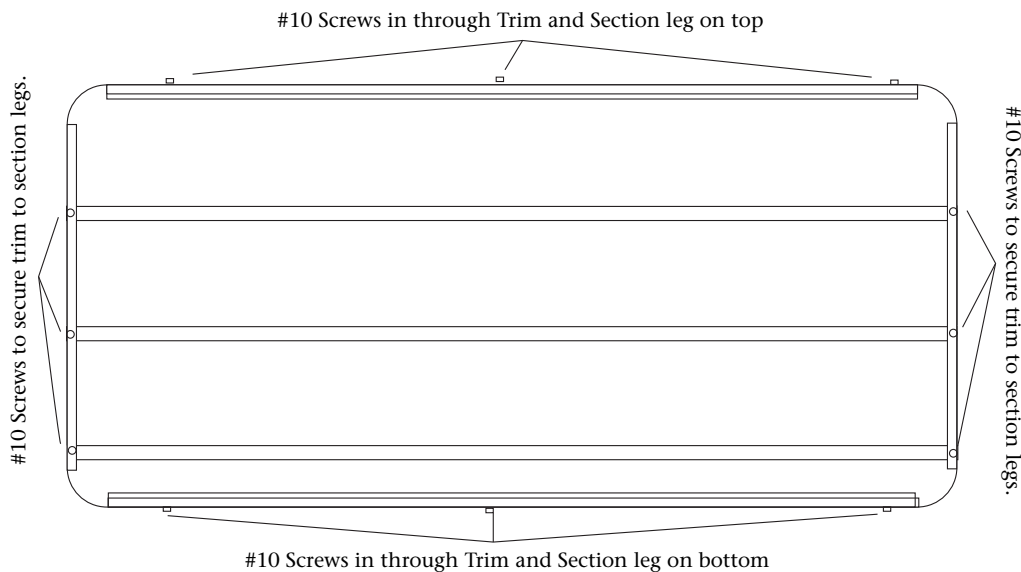


Next install the RC-8 Sheet Trim from the back as shown to the left.

Drill pilot holes through top and bottom trim and sections legs. Secure with #10 screws.

Drill pilot holes through the back leg of the trim overlap and both section legs. Secure with #10 screws.

You are now ready to lift up and place on the Flush Mount Frame.

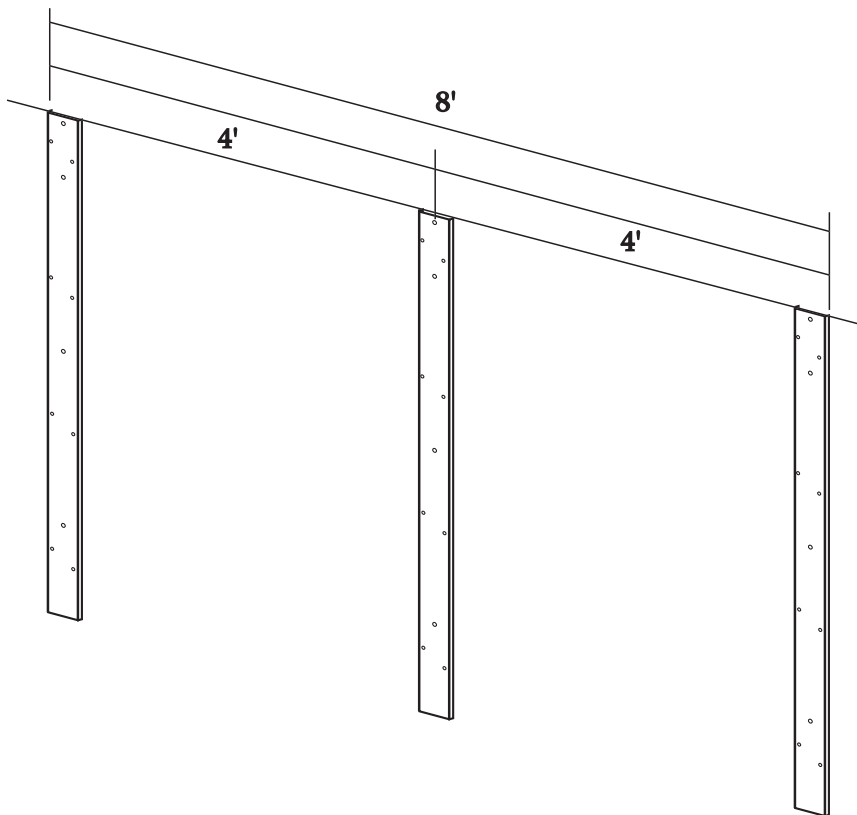
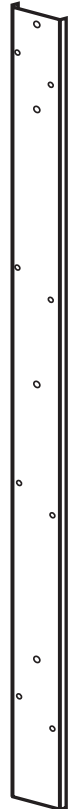


Flush Mount RC-8 Sheet Panel

Flush Mount Wall Channels

Determine where the top of the RC-8 Sheet will be installed.
Mark a level chalk line or use a laser to make a level line.

The two outside Flush Mount Wall Channels are to be installed 8' from outside to outside. The middle Flush Mount Wall Channel should be centered. Bolts and lag screws to install channels to wall are not provided.



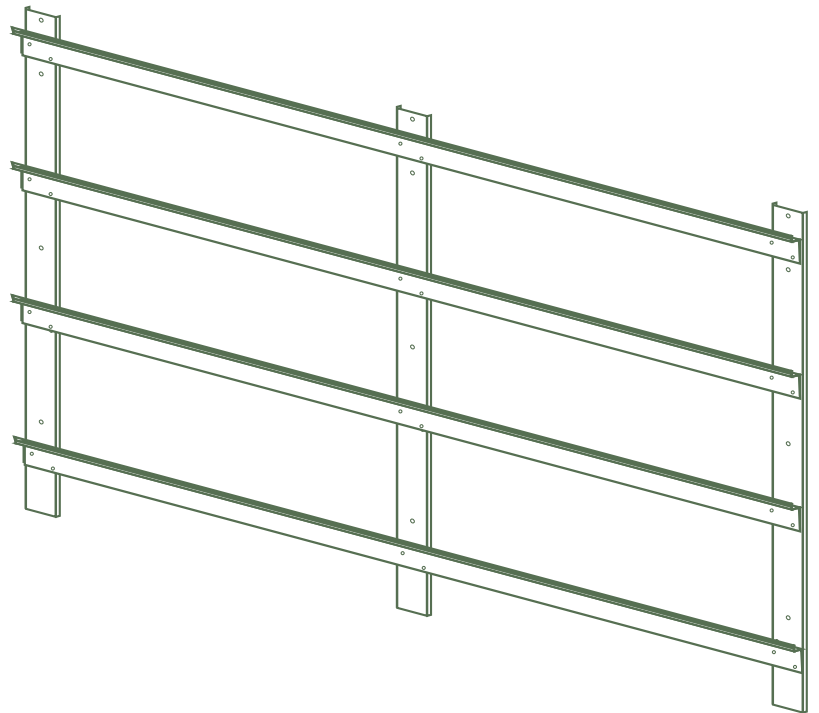
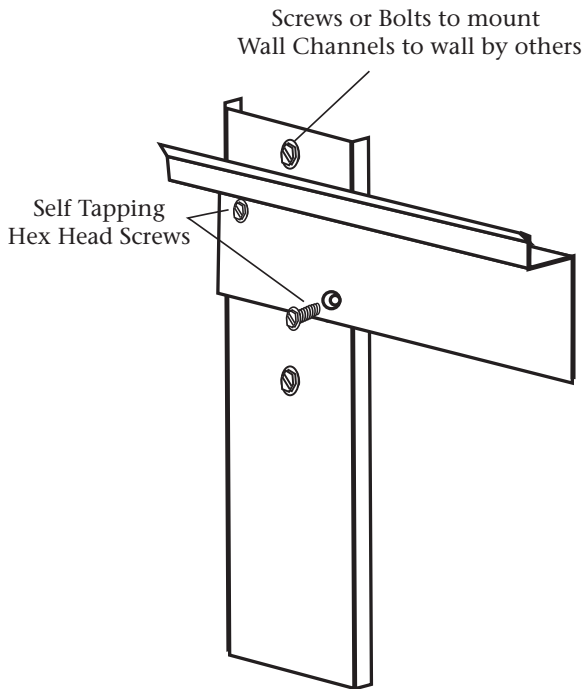
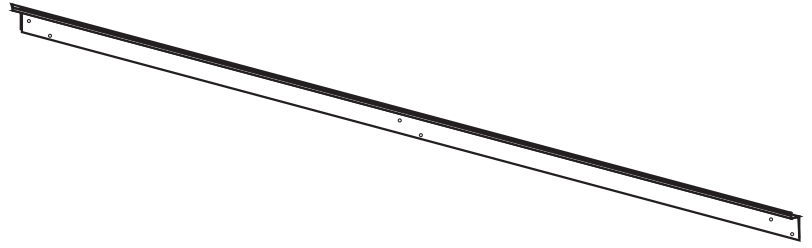
Flush Mount RC-8 Sheet Panel

Flush Mount Stringers

The Flush Mount Kit comes with four horizontal stringers.

Secure the four stringers to the wall channels with #14 self tapping screws.

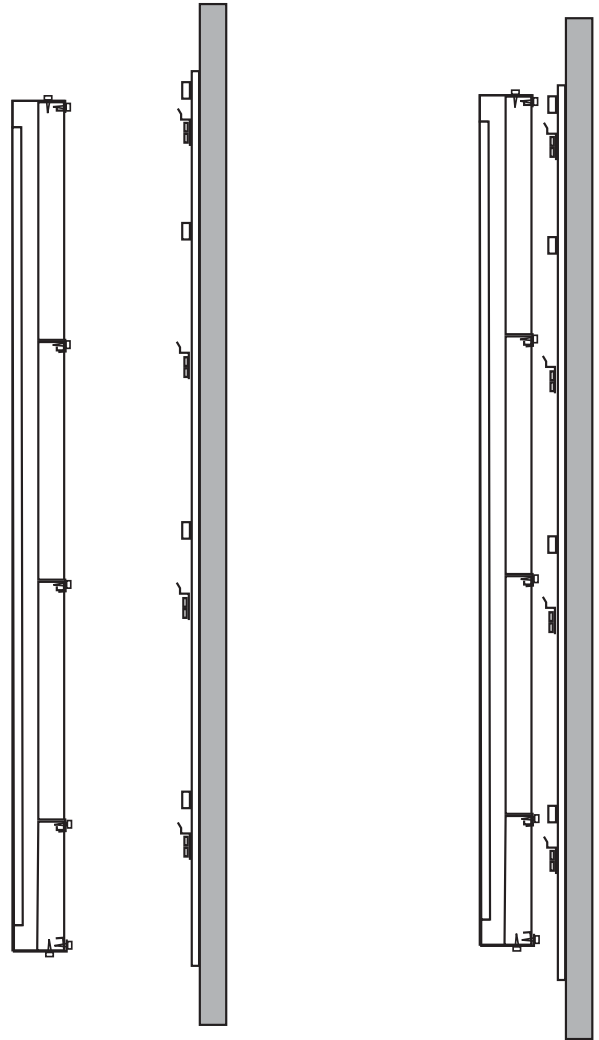
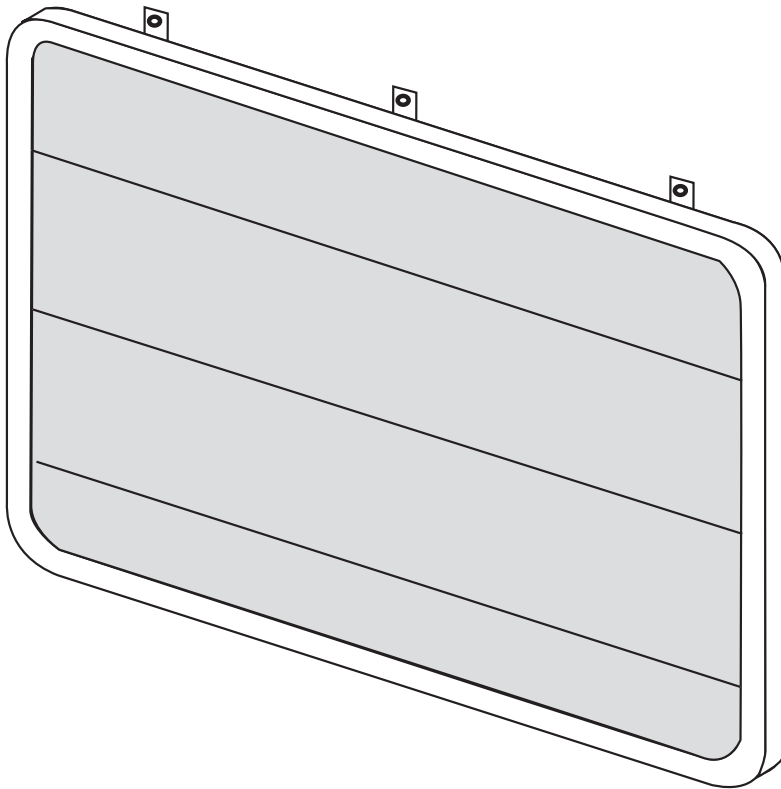
When you have installed all four stringers you are now ready to hang the RC-8 Sheet face.



Flush Mount RC-8 Sheet Panel

With two people, stand the face up vertically.

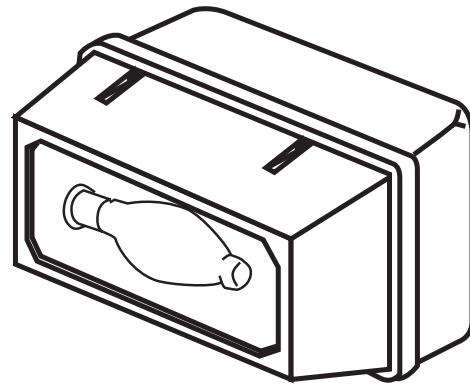
Lift up and back and let the section legs down onto the stringers.



Illumi-8 Fixture and Pre-Wired, Pre-Aimed Conduit

Formetco Illumin-8 Light Fixture for 8-Sheet panels creates a new, untapped client base with illuminated 8-Sheets.

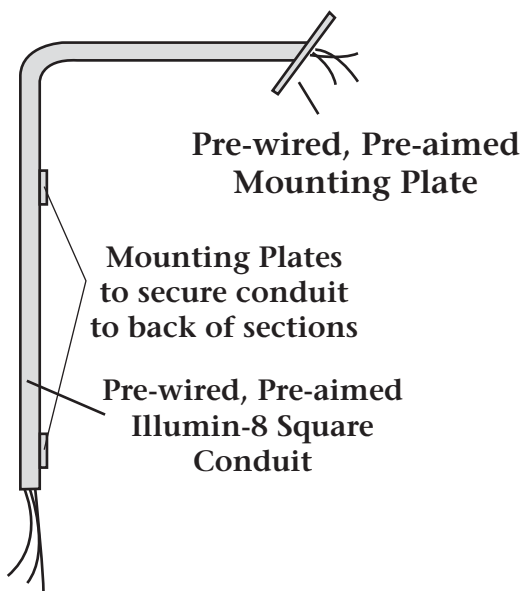
The brilliant 175 watt Metal Halide Lamp illuminates the entire 8-Sheet face. The heavy duty housing, self-ballasted fixture is easy to mount to the Pre-Wired, Pre-Aimed Square Conduit.



Illumin-8 Light Fixture
175 watt Metal Halide Lamp
Self-Ballasted Fixture

The conduit can be mounted to the back of all styles of Formetco 8-Sheet Panels using four 2" Hook Bolts/Flange Nuts.

Illumin-8 Conduit



Attach Illumin-8 Pre-Wired, Pre-Aimed Conduit to back of 8-Sheet face with 2" Hook Bolts/Flange Nuts

